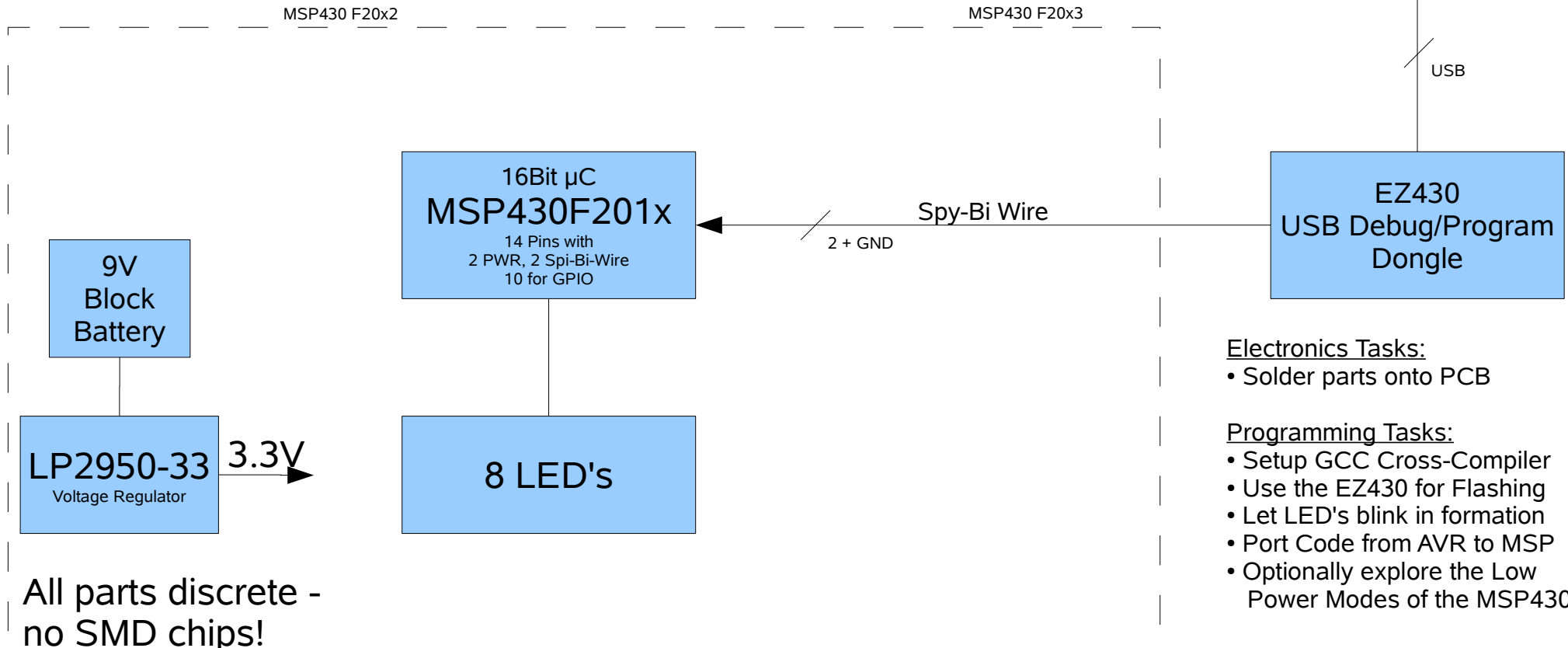
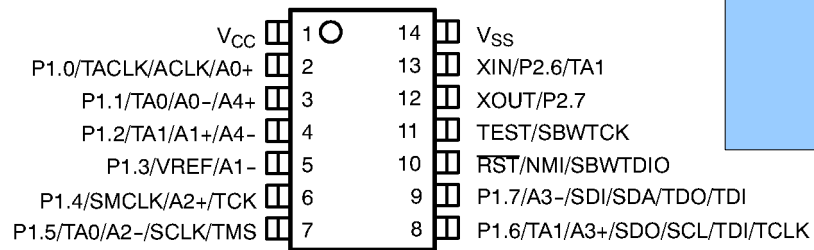
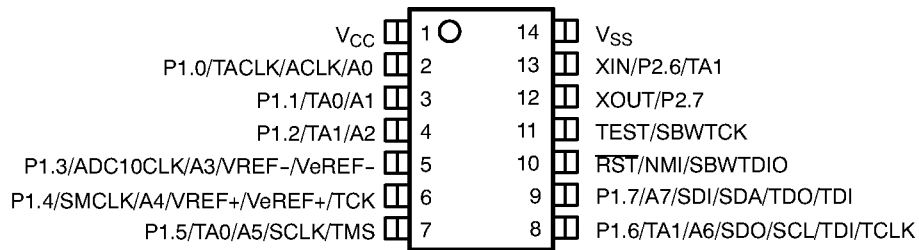


# MSP430 WORKSHOP

## MiniPOV - Persistence Of Vision gimmick



All parts discrete -  
no SMD chips!

- Electronics Tasks:
- Solder parts onto PCB
- Programming Tasks:
- Setup GCC Cross-Compiler
  - Use the EZ430 for Flashing
  - Let LED's blink in formation
  - Port Code from AVR to MSP
  - Optionally explore the Low Power Modes of the MSP430